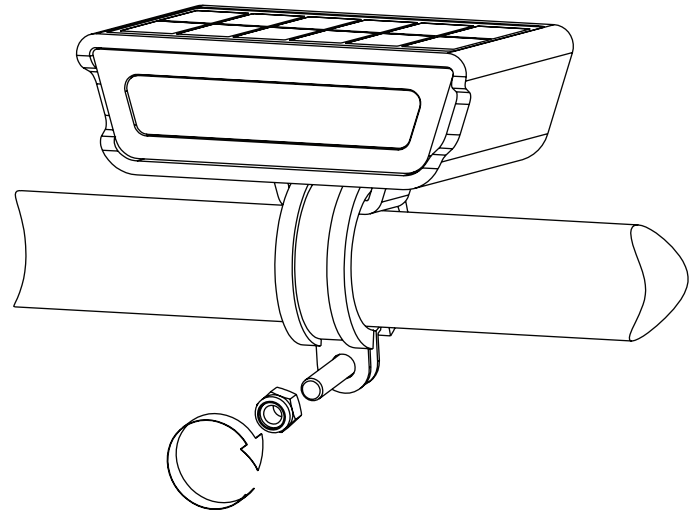
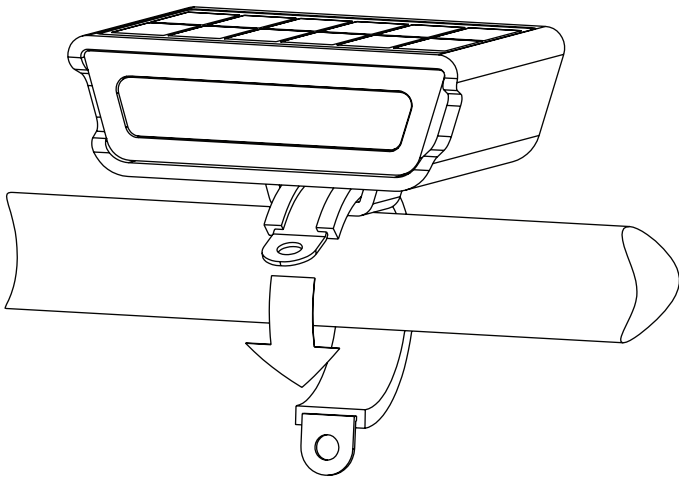
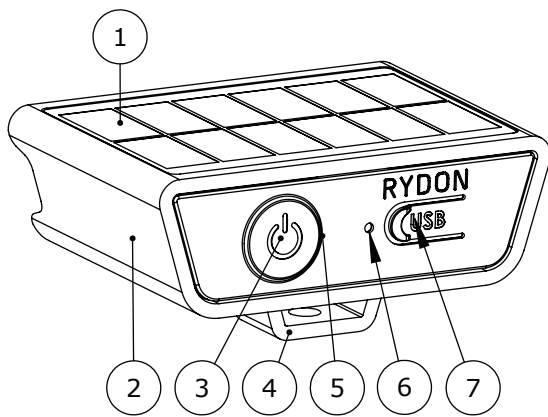


# MOUNTING



# OPERATION



- 1 SOLAR PANEL
- 2 HOUSING
- 3 BUTTON
- 4 MOUNTING

- 5 COVER
- 6 STATUS LED
- 7 USB

## On/Off

Press BUTTON 1 second to turn on NORMAL mode  
Press BUTTON 1 second again to turn on BOOST mode  
Press BUTTON 1 second to turn light off

When the light is ON the STATUS LED will lit RED.

## Low Battery Detection

When you turn on the light and the STATUS LED is blinking RED, instead of continuous burning, it means the remaining energy in the battery is low. Use either the solar panel or the USB port to charge the battery.

# CHARGING

## Solar

When the Rydon is placed in sunlight the solar panel will charge the battery automatically.  
When charging, the STATUS LED will turn BLUE. When the battery is fully charged the STATUS LED will blink GREEN

## USB

To access USB charging, move the rubber lid. Connect a micro USB cable to the USB port.  
You can use any device with a USB port to charge, for example phone charger, laptop, powerbank etc.  
When charging the STATUS LED will turn BLUE. When the battery is fully charged the STATUS LED will blink GREEN

## Important

After charging is complete, place the rubber lid back to cover the USB port.